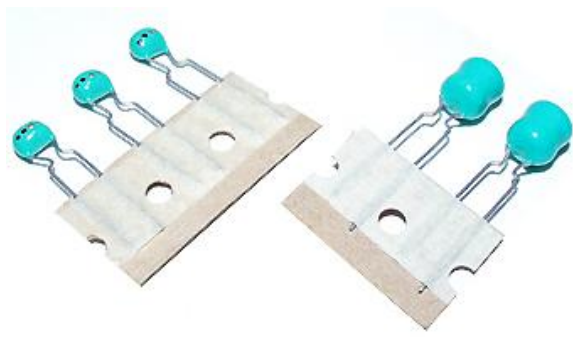
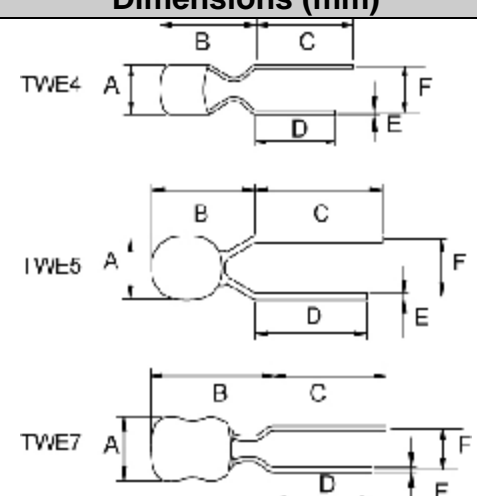
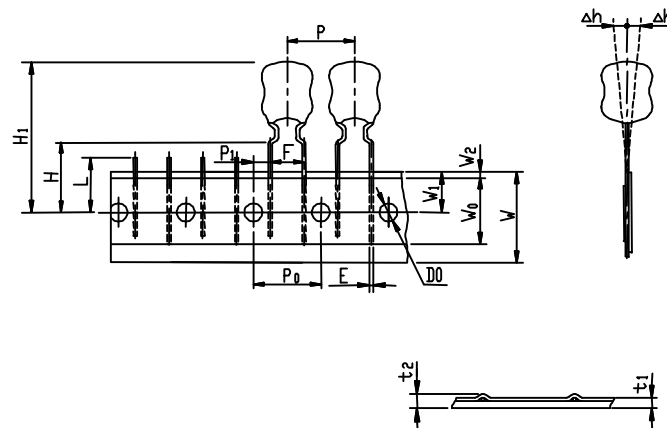


COATED RADIAL TYPE CHOKE COILS

Model				Dimensions (mm)								
												
				Model	A max.	B max.	C max.	D max.	E ± 0.05	F ± 0.5	H ₁ max.	Table
				TWE4	7.0	9.0	24	24	0.5	5.0	26.0	P.40
TWE5	7.0	11.5	22	24	0.5	5.0	28.5	P.41				
TWE7	9.0	15.5	22	24	0.6	5.0	32.5	P.42				

	SYMBOL	DIMENSIONS	SYMBOL	DIMENSIONS
	P	12.7±1.0	D0	∅ 4.0±0.2
	P ₀	12.7±0.3	t ₁	0.6±0.3
	P ₁	3.85±0.7	t ₂	1.5 max.
	F	5.0±1.0	Δh	2.0 max.
	W	18.0 ^{+1.0} _{-0.5}	L	11.0 max.
	W ₀	12.5 min.	H	160±1
	W ₁	9.0±0.5	E	See above table.
W ₂	3.0 max.	H ₁		

CHARACTERISTICS

Operating temperature range : -20°C to + 105°C (include coil heat)
 Storage conditions : -20°C to + 85°C
 Do NOT expose to direct sunlight (JIS C 805)

※Specifications other than the above will be furnished upon request.



COATED RADIAL TYPE CHOKE COILS

Specification table of Coated Radial type Choke Coils TWE4 (H500-0082)									
PART NO.	STAMP	INDUCTANCE (μ H) WITHIN	INDUCTANCE TOLERANCE	Qu Min.	D.C.R. (Ω) Max.	RATED CURRENT Max. (A)	S.R.F. (MHz) Min.	MEASURING FREQUENCY (MHz)	MATERIAL
TWE4-R22	R22	0.22	M、K	50	0.15	0.82	150	25.2	EM9D
TWE4-R27	R27	0.27			0.15	0.82	150		
TWE4-R33	R33	0.33			0.15	0.82	150		
TWE4-R39	R39	0.39			0.15	0.82	130		
TWE4-R47	R47	0.47			0.15	0.82	130		
TWE4-R56	R56	0.56			0.20	0.71	130		
TWE4-R68	R68	0.68			0.20	0.71	120		
TWE4-R82	R82	0.82			0.20	0.71	120		
TWE4-1R0	1R0	1.0	K、J	50	0.20	0.71	100	7.96	EM8B
TWE4-1R2	1R2	1.2			0.21	0.71	85		
TWE4-1R5	1R5	1.5			0.25	0.68	70		
TWE4-1R8	1R8	1.8			0.28	0.68	60		
TWE4-2R2	2R2	2.2			0.30	0.64	55		
TWE4-2R7	2R7	2.7			0.32	0.61	50		
TWE4-3R3	3R3	3.3			0.34	0.58	45		
TWE4-3R9	3R9	3.9			0.38	0.56	40		
TWE4-4R7	4R7	4.7			0.42	0.54	35		
TWE4-5R6	5R6	5.6			0.44	0.52	33		
TWE4-6R8	6R8	6.8			0.49	0.50	27		
TWE4-8R2	8R2	8.2			0.53	0.47	25		
TWE4-100	100	10			0.8	0.36	20	2.52	
TWE4-120	120	12			0.9	0.34	17		
TWE4-150	150	15			1.0	0.32	12.5		
TWE4-180	180	18			1.2	0.29	11.9		
TWE4-220	220	22			1.4	0.27	11.4		
TWE4-270	270	27			1.7	0.25	10.3		
TWE4-330	330	33			2.0	0.23	8.6	2.52	EM8B
TWE4-390	390	39			2.4	0.21	7.8		
TWE4-470	470	47	2.7	0.20	7.3				
TWE4-560	560	56	2.9	0.19	7.2				
TWE4-680	680	68	3.1	0.18	7.0				
TWE4-820	820	82	3.3	0.18	6.0				
TWE4-101	101	100	3.3	0.18	5.9	0.796	ED3B		
TWE4-121	121	120	3.5	0.17	5.8				
TWE4-151	151	150	3.7	0.17	5.2				
TWE4-181	181	180	4.0	0.16	5.0				
TWE4-221	221	220	5.2	0.14	3.7				
TWE4-271	271	270	5.8	0.14	3.4				
TWE4-331	331	330	6.5	0.13	3.1				
TWE4-391	391	390	7.5	0.12	2.9				
TWE4-471	471	470	8.0	0.12	2.5				
TWE4-561	561	560	12.5	90m	2.3				
TWE4-681	681	680	14.0	85m	2.1				
TWE4-821	821	820	15.5	80m	2.0	0.252	EL6E		
TWE4-102	102	1000	40	18.5	75m			1.7	
TWE4-122	122	1200	30	29	60m			1.6	
TWE4-152	152	1500		34	55m			1.5	
TWE4-182	182	1800		37	55m			1.4	
TWE4-222	222	2200		42	50m			1.1	

* : M: $\pm 20\%$, K: $\pm 10\%$, J: $\pm 5\%$

* TESTING INSTRUMENT

INDUCTANCE & Q: HP 4285A OR EQUIVALENT.

D.C.R.: KEITHLEY 580 MICRO OHM METER OR EQUIVALENT.

RATED CURRENT: HP 4284A, HP42841A OR EQUIVALENT.

S.R.F. : HP 4395A, HP4285A OR EQUIVALENT.

* THIS INDICATES THE VALUE OF CURRENT WHEN THE INDUCTANCE IS 10% LOWER THAN ITS INITIAL VALUE AT D.C. SUPERPOSITION.

※ Specifications other than the above will be furnished upon request.



COATED RADIAL TYPE CHOKE COILS

Specification table of Coated Radial type Choke Coils TWE5 (H500-0077)

PART NO.	STAMP	L (μ H) WITHIN	Qu Min.	D.C.R. (Ω) Max.	RATED CURRENT Max. (A)		S.R.F. (MHz) Min.	MEASURING FREQUENCY (MHz)	MATERIAL						
					Idc1	Idc2									
TWE5-1R0M	1R0M	1.0 \pm 20%	90	32m	4.2	3.4	100	7.96	EQ5B						
TWE5-1R2M	1R2M	1.2 \pm 20%		35m	4.0	3.3	85								
TWE5-1R5M	1R5M	1.5 \pm 20%		40m	3.9	3.0	70								
TWE5-1R8M	1R8M	1.8 \pm 20%		45m	3.7	2.9	60								
TWE5-2R2M	2R2M	2.2 \pm 20%	85	47m	3.6	2.7	55			7.96	EQ5B				
TWE5-2R7M	2R7M	2.7 \pm 20%		50m	3.3	2.6	45								
TWE5-3R3M	3R3M	3.3 \pm 20%		60m	2.7	2.4	30								
TWE5-3R9M	3R9M	3.9 \pm 20%	80	65m	2.6	2.3	28					2.52	EL8H		
TWE5-4R7M	4R7M	4.7 \pm 20%		85m	2.2	2.1	25								
TWE5-5R6M	5R6M	5.6 \pm 20%	75	90m	2.0	2.0	20							0.796	EL8H
TWE5-6R8M	6R8M	6.8 \pm 20%	65	0.10	1.9	1.9	17.5								
TWE5-8R2M	8R2M	8.2 \pm 20%		0.11	1.7	1.8	16.0								
TWE5-100K	100K	10 \pm 10%	50	0.13	1.6	1.6	15.7	0.796	EL8H						
TWE5-120K	120K	12 \pm 10%		0.14	1.5	1.5	13.6								
TWE5-150K	150K	15 \pm 10%		0.18	1.36	1.32	12.2								
TWE5-180K	180K	18 \pm 10%	45	0.21	1.28	1.18	11.5								
TWE5-220K	220K	22 \pm 10%		0.26	1.12	1.07	10.8								
TWE5-270K	270K	27 \pm 10%		0.33	1.05	0.95	10.0								
TWE5-330K	330K	33 \pm 10%	40	0.36	0.96	0.85	8.7			0.252	EL8H				
TWE5-390K	390K	39 \pm 10%		0.42	0.88	0.80	7.35								
TWE5-470K	470K	47 \pm 10%		0.52	0.78	0.75	6.85								
TWE5-560K	560K	56 \pm 10%	35	0.60	0.74	0.67	6.00					0.252	EL8H		
TWE5-680K	680K	68 \pm 10%		0.68	0.67	0.65	5.74								
TWE5-820K	820K	82 \pm 10%	30	0.77	0.62	0.60	5.25							0.252	EL8H
TWE5-101K	101K	100 \pm 10%	45	0.90	0.79	0.52	4.40								
TWE5-121K	121K	120 \pm 10%	35	1.05	0.73	0.50	4.00								
TWE5-151K	151K	150 \pm 10%	45	1.25	0.68	0.41	3.78	0.252	EL8H						
TWE5-181K	181K	180 \pm 10%	40	1.50	0.60	0.39	3.57								
TWE5-221K	221K	220 \pm 10%	35	1.65	0.55	0.38	3.36								
TWE5-271K	271K	270 \pm 10%	40	1.95	0.50	0.34	3.00								
TWE5-331K	331K	330 \pm 10%	55	2.65	0.46	0.29	2.52			0.252	EL8H				
TWE5-391K	391K	390 \pm 10%		3.25	0.42	0.27	2.30								
TWE5-471K	471K	470 \pm 10%	50	3.6	0.38	0.26	2.03								
TWE5-561K	561K	560 \pm 10%	45	4.1	0.35	0.24	1.82								
TWE5-681K	681K	680 \pm 10%	60	5.5	0.33	0.21	1.75								
TWE5-821K	821K	820 \pm 10%	55	6.4	0.30	0.19	1.61								
TWE5-102K	102K	1000 \pm 10%	85	8.0	0.24	0.18	1.40								
TWE5-122K	122K	1200 \pm 10%	80	10.3	0.23	0.15	1.33								
TWE5-152K	152K	1500 \pm 10%	90	11.5	0.21	0.14	1.19	0.252	EL8H						
TWE5-182K	182K	1800 \pm 10%		15.2	0.18	0.12	1.05								
TWE5-222K	222K	2200 \pm 10%	85	18.0	0.17	0.11	0.94								
TWE5-272K	272K	2700 \pm 10%		25.0	0.16	0.10	0.79								
TWE5-332K	332K	3300 \pm 10%	80	28.5	0.14	90 m	0.73								
TWE5-392K	392K	3900 \pm 10%	85	32.0	0.13	85 m	0.70								
TWE5-472K	472K	4700 \pm 10%	80	36.5	0.12	80 m	0.68								
TWE5-562K	562K	5600 \pm 10%	75	53.0	0.11	68 m	0.63								
TWE5-682K	682K	6800 \pm 10%		60.0	0.10	65 m	0.57								

*** TESTING INSTRUMENT**

INDUCTANCE & Q: HP 4285A OR EQUIVALENT.

D.C.R.: KEITHLEY 580 MICRO OHM METER OR EQUIVALENT.

RATED CURRENT: HP 4284A, HP42841A, HP E3632A, HP 34401A OR EQUIVALENT.

S.R.F. : HP 4395A, HP4285A OR EQUIVALENT.

* Idc1: THE CURRENT WHEN THE INDUCTANCE DECREASES TO 90% OF INITIAL VALUE. (Ta=25°C)

* Idc2: THE CURRENT WHEN THE TEMPERATURE OF COIL IS INCREASED BY 20°C. (Ta=25°C)

THE RATED CURRENT INDICATES THE SMALLER ONE BETWEEN Idc1 AND Idc2.

※ Specifications other than the above will be furnished upon request.



COATED RADIAL TYPE CHOKE COILS

Specification table of Coated Radial type Choke Coils TWE (H500-0096)								
PART NO.	STAMP	INDUCTANCE (μ H) WITHIN	INDUCTANCE TOLERANCE	Qu Min.	D.C.R. (Ω) Max.	RATED CURRENT Max. (mA)	S.R.F. (MHz) Min.	MATERIAL
TWE7-101	101	100	K、J	55	0.85	343	4.30	EQ5B
TWE7-121	121	120			0.95	324	3.70	
TWE7-151	151	150			1.05	309	3.40	
TWE7-181	181	180			1.15	295	3.30	
TWE7-221	221	220			1.30	277	2.30	
TWE7-271	271	270			1.50	258	2.00	
TWE7-331	331	330		50	1.70	243	1.95	
TWE7-391	391	390			1.85	232	1.85	
TWE7-471	471	470			45	2.30	209	
TWE7-561	561	560		2.55		198	1.50	
TWE7-681	681	680		40	2.85	187	1.40	
TWE7-821	821	820		35	3.1	180	1.32	
TWE7-102	102	1000		K、J	60	4.1	156	
TWE7-122	122	1200	4.7			146	1.20	
TWE7-152	152	1500	5.8			131	1.00	
TWE7-182	182	1800	7.4			116	0.95	
TWE7-222	222	2200	65		8.4	109	0.90	
TWE7-272	272	2700			11.2	94	0.84	
TWE7-332	332	3300			14.7	82	0.75	
TWE7-392	392	3900			19.5	72	0.67	
TWE7-472	472	4700	60		21.5	68	0.62	
TWE7-562	562	5600			24.5	64	0.57	
TWE7-682	682	6800			32.5	55	0.47	
TWE7-822	822	8200	55		38	51	0.43	
TWE7-103	103	10000	50		43	48	0.38	
TWE7-123	123	12000			62	40	0.37	
TWE7-153	153	15000			74	37	0.33	
TWE7-183	183	18000			103	31	0.29	
TWE7-223	223	22000			118	29	0.26	
TWE7-273	273	27000			131	28	0.25	
TWE7-333	333	33000			185	23	0.25	
TWE7-393	393	39000	40		205	22	0.23	
TWE7-473	473	47000			35	260	20	0.21
TWE7-563	563	56000	295	18		0.20		

* □ : K: $\pm 10\%$, J: $\pm 5\%$

* TESTING INSTRUMENT

INDUCTANCE & Q: HP 4285A OR EQUIVALENT.

D.C.R.: KEITHLEY 580 MICRO OHM METER OR EQUIVALENT.

RATED CURRENT: HP 4284A, HP 42841A, HP E3632A, HP 34401A OR EQUIVALENT.

S.R.F. : HP 4395A, HP4285A OR EQUIVALENT.

* TESTING CONDITION: 100 ~ 820 μ H L&Q at 796kHz/1V ; 1000 ~ 8200 μ H L&Q at 252kHz/1V;
10000 ~ 56000 μ H (L: at 1kHz/1V; Q : at 79.6kHz/1V)

※ THIS INDICATES THE VALUE OF CURRENT WHEN THE INDUCTANCE IS 10% LOWER THAN ITS INITIAL VALUE AT D.C. SUPERPOSITION OR D.C. CURRENT WHEN AT $\Delta t=40^\circ\text{C}$ WHICHEVER IS LOWER.

※ Specifications other than the above will be furnished upon request.